

FEATURES

- **NEMA 23 Frame Size**
- **Splashproof IP65 Sealed Stepper Motor**
- **1.8° Natural Step Angle**
- **High Torque - Up to 416 oz-in**
- **High Step Accuracy and Resolution**
- **Low Vibration and Noise**
- **Can be Customized for**
 - **Widing Current**
 - **Shaft Options**
 - **Connectors**
- **CE Certified and RoHS Compliant**



DESCRIPTION

The 23Y65-CS4 Series High Torque Stepper Motors are designed to withstand splashdown, humid or damp environments, and water sprayback conditions. The IP65 sealed properties ensure that moisture will be kept out of the motor's internal windings. In addition, these motors provide the highest possible torque available in a sealed size 23 stepper. The 23Y65-CS4 series is an excellent choice for lab automation, biotech, and semiconductor automation equipment, just to name a few. Customized options are also available upon request. The CS-4 motors feature a 120" long shielded cable connected by a water-tight clamp and grommet, enduring maximum protection from moisture and debris.

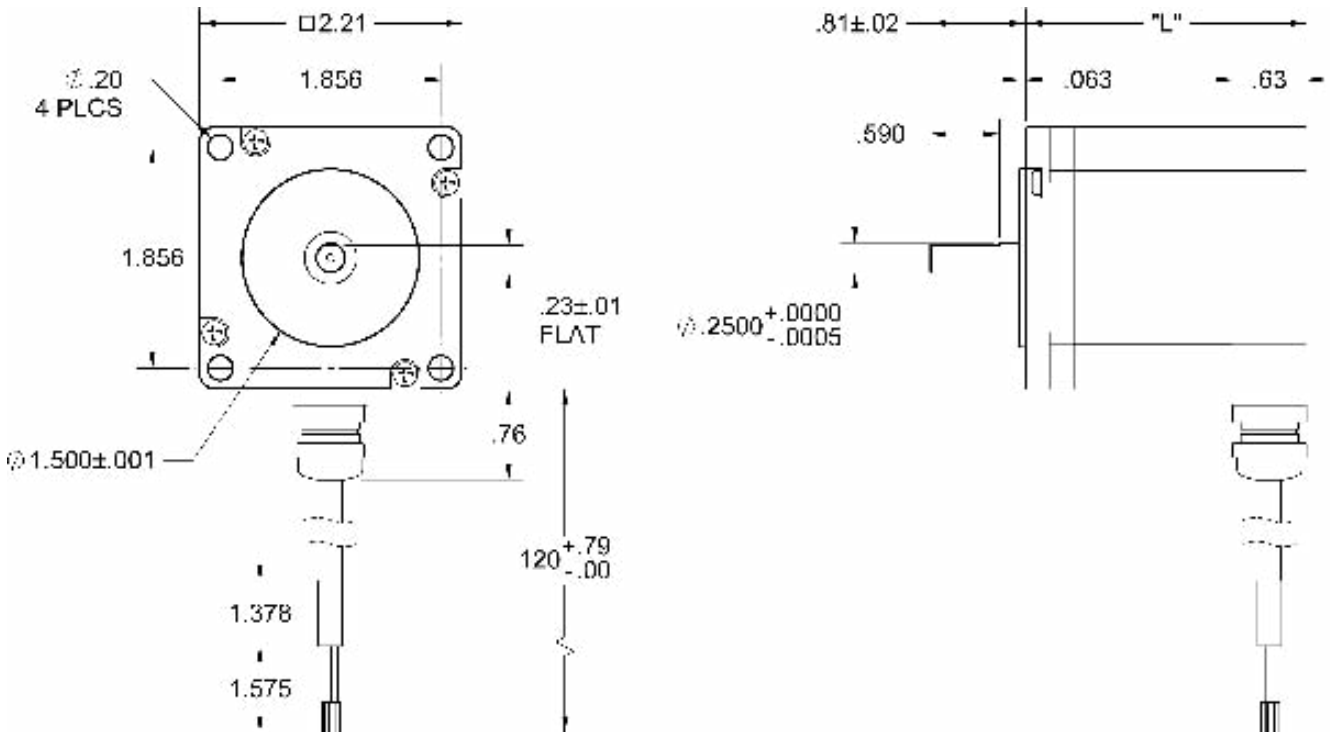
See [Accessories](#) on our website for optional motor adders such as encoders, cables and connectors. For Gearbox options, see GBPH gearboxes. For compatible drivers, consider MBC15081, MBC25081TB, MBC05641 and DPE or DPY Series Driver Packs.

SPECIFICATIONS

Model #	NEMA Size	Bipolar Torque (oz-in)	Series Current (A)	Bipolar Resistance (ohm)	Bipolar Inductance (mH)	Rotor Inertia (oz-in-sec ²)	Shaft Diameter (in)	# Lead Wires	Weight (lbs)	"L" Length (in)
23Y65106S-CS4	23	175	2.12	1.5	5.4	0.0042	0.25	4	1.54	2.36
23Y65206S-CS4	23	272	2.12	1.8	7.5	0.0068	0.25	4	2.20	3.15
23Y65306S-CS4	23	416	2.12	3.8	17	0.0092	0.25	4	3.31	4.65

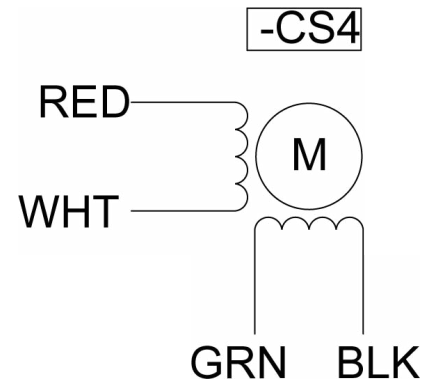
L010355

DIMENSIONS



WIRING INFORMATION

Model #	NEMA Size	Lead Wire Color
4 - Lead Bipolar Series MBC	Phase 1 (A) Phase 3 (/A) Phase 2 (B) Phase 4 (/B)	Red White Green Black



SPECIFICATIONS

Step Angle Accuracy:	±5% (full step, no load)	Insulation Resistance:	100M Ohm, Min. 500VDC
Resistance Accuracy:	±10%	Dielectric Strength:	500VAC for one minute
Inductance Accuracy:	±20%	Radial Play:	0.02" at 1.0lbs
Temperature Rise:	80°C (2 phase on)	End Play:	0.08" at 1.0lbs
Ambient Temperature:	-20°C - +50°C	Max Radial Force:	16.9lbs (0.79" from flange)
Insulation Type:	Class B	Max Axial Force:	3.4lbs-force